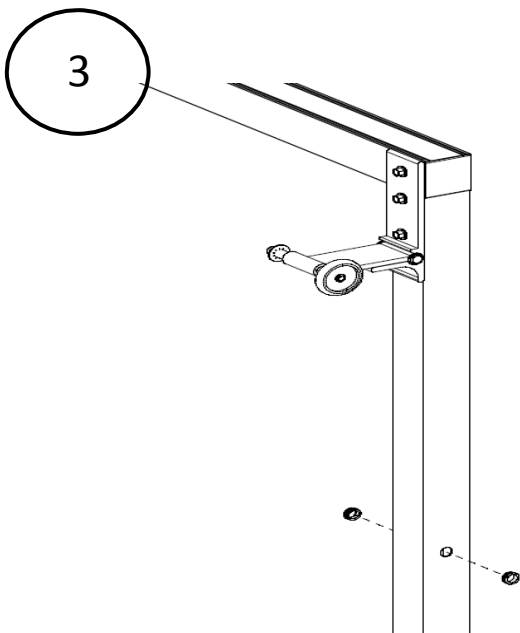
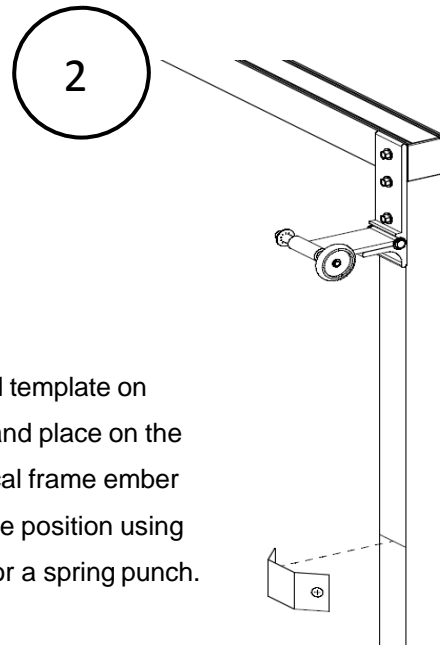
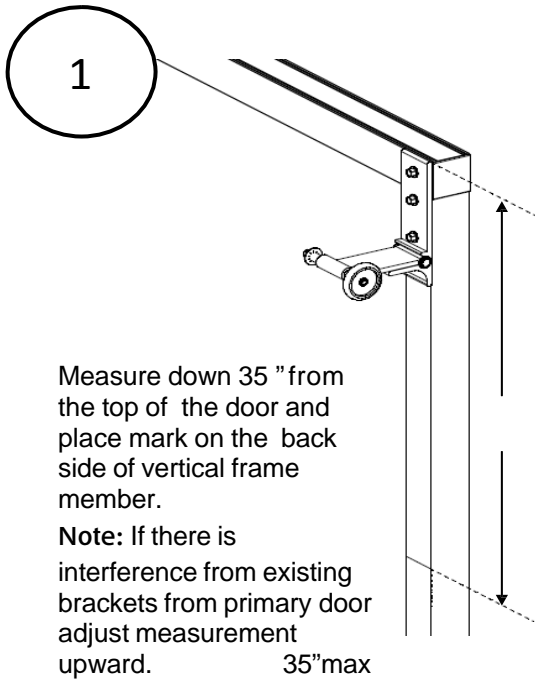
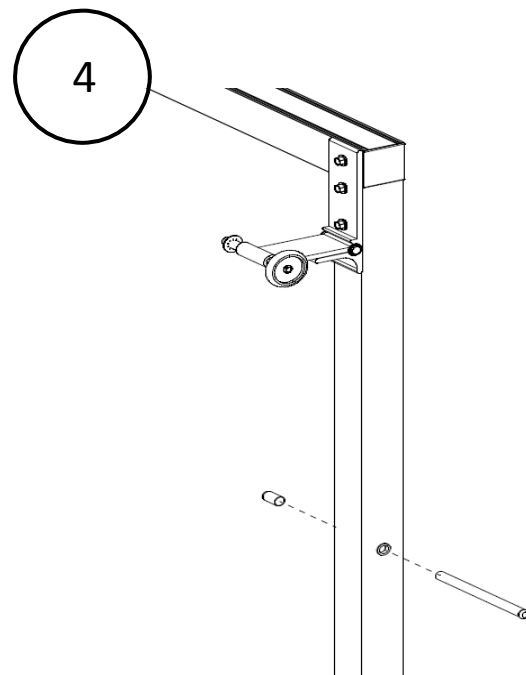


Lifestyle Screens

Frame Lock Installation



Drill marked location using 1/2" drill bit and insert plastic bushings with larger flanged side of bushing facing outward.



Insert the non-flanged end of locking pin from the outer perimeter of the frame and install rubber end cap to secure pin.

Repeat these steps for the opposite side.