



Rainier Industries, Ltd

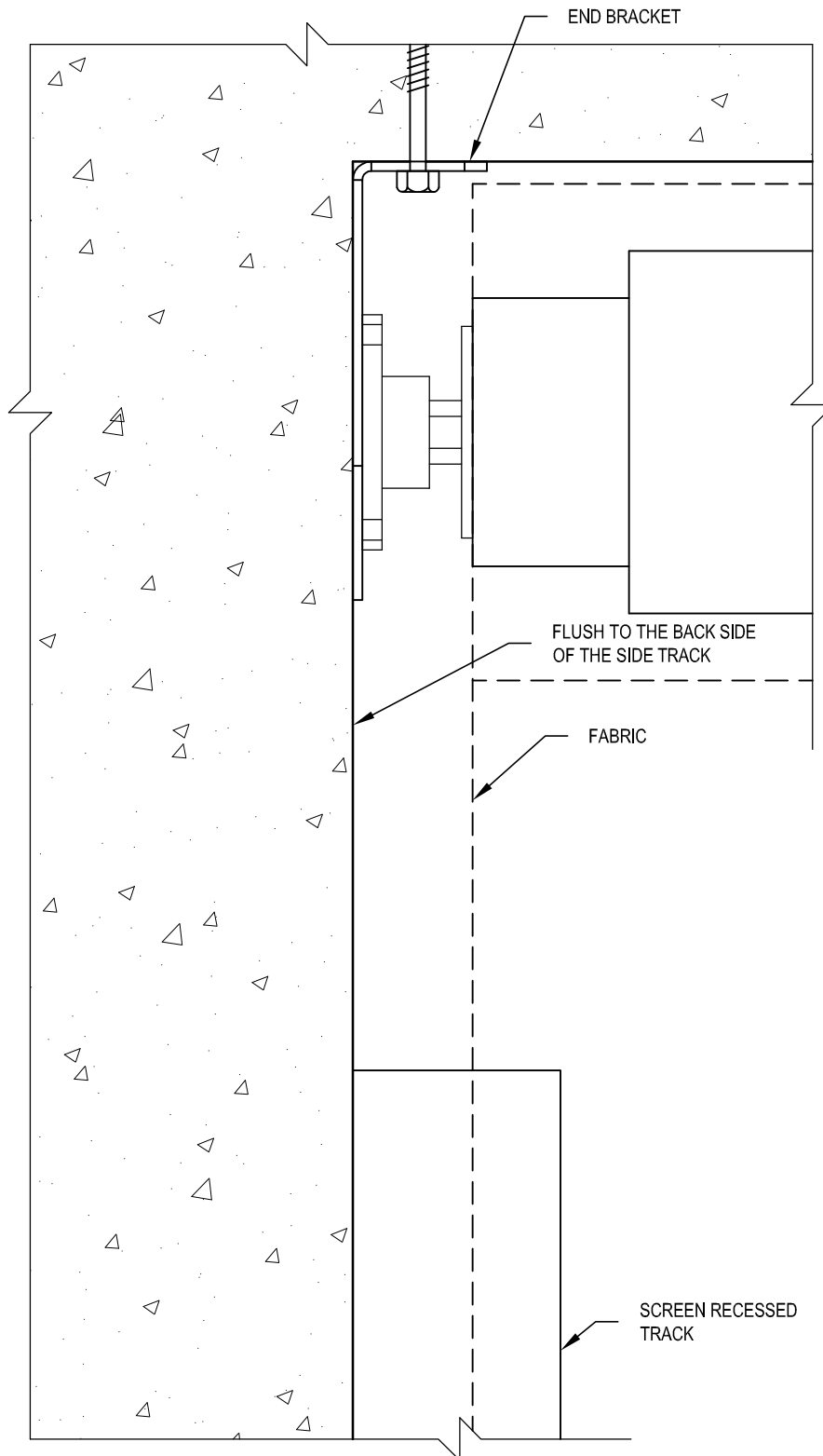
18375 Olympic Ave. S.
 Tukwila, WA 98188

800-869-7162 Toll Free
 425-251-1800 Phone
 425-251-5065 Fax

www.Rainier.com

Original design concepts are protected under Federal Copyright Laws and are the property of Rainier Industries, Ltd. Any reproduction of this design concept without written consent is expressly forbidden.

ISO 9001:2000 REGISTERED



Revisions

 Sales Person

 Job Name

DETAILS

Drawing Title

305

RI Work Order Number

TED S MARIER

Drawn By

Checked By / Date

STEVE SADENWASSER

Project Manager

Issue Date / By

P1.00

Sheet Number

A

Description: Roller Tube Section Side Attachment Detail

QTY:

Scale: 6" = 1' - 0"

Material: Brick

File Name:

♦ MASTER ♦ PROJECT MGR ♦ SALES ♦ DTS ♦ FRAME / ASSEMBLY ♦ FABRIC ♦ GRAPHICS ♦ INSTALL ♦ WOOD SHOP ♦ SHIPPING ♦



Rainier Industries, Ltd

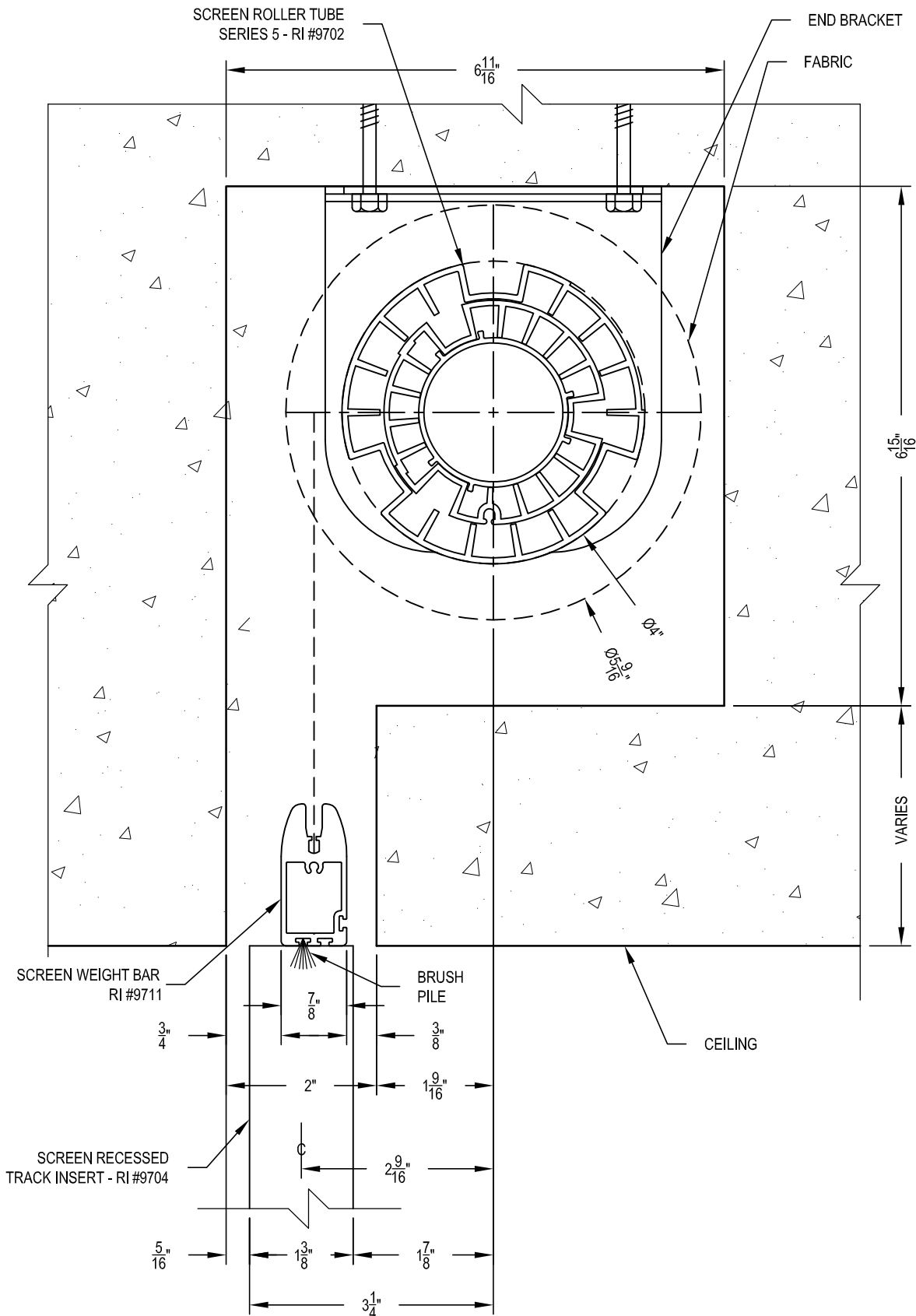
18375 Olympic Ave. S.
Tukwila, WA 98188

800-869-7162 Toll Free
425-251-1800 Phone
425-251-5065 Fax

www.Rainier.com

Original design concepts are protected under Federal Copyright Laws and are the property of Rainier Industries, Ltd. Any reproduction of this design concept without written consent is expressly forbidden.

ISO 9001:2000 REGISTERED



Revisions

Sales Person

Job Name

DETAILS

Drawing Title

305

RI Work Order Number

TED S MARIER

Drawn By

Checked By / Date

STEVE SADENWASSER
Project Manager

Issue Date / By

P2.00

Sheet Number

A

Description: Roller Tube Section Attachment Detail

QTY:

Scale: 6" = 1' - 0"

Material: Brick

File Name:

♦ MASTER ♦ PROJECT MGR ♦ SALES ♦ DTS ♦ FRAME / ASSEMBLY ♦ FABRIC ♦ GRAPHICS ♦ INSTALL ♦ WOOD SHOP ♦ SHIPPING ♦



Rainier Industries, Ltd

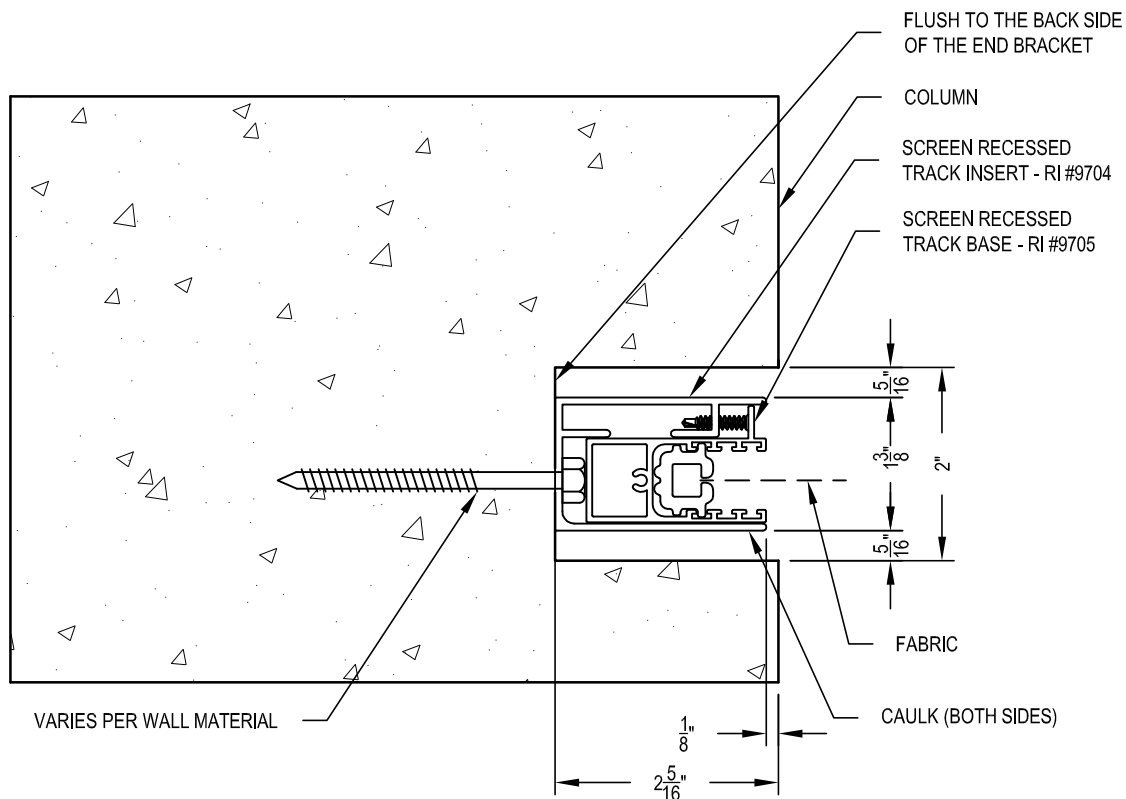
18375 Olympic Ave. S.
Tukwila, WA 98188

800-869-7162 Toll Free
425-251-1800 Phone
425-251-5065 Fax

www.Rainier.com

Original design concepts are protected under Federal Copyright Laws and are the property of Rainier Industries, Ltd. Any reproduction of this design concept without written consent is expressly forbidden.

ISO 9001:2000 REGISTERED



Revisions

—
Sales Person

—
Job Name

DETAILS

Drawing Title

305

RI Work Order Number

TED S MARIER

Drawn By

Checked By / Date

STEVE SADENWASSER
Project Manager

Issue Date / By

P3.00

Sheet Number

A

Description: Side Track Section Middle Attachment Detail

QTY:

Scale: 6" = 1' - 0"

Material: Brick

File Name:

♦ MASTER ♦ PROJECT MGR ♦ SALES ♦ DTS ♦ FRAME / ASSEMBLY ♦ FABRIC ♦ GRAPHICS ♦ INSTALL ♦ WOOD SHOP ♦ SHIPPING ♦